



The Ultimate in Fall Protection

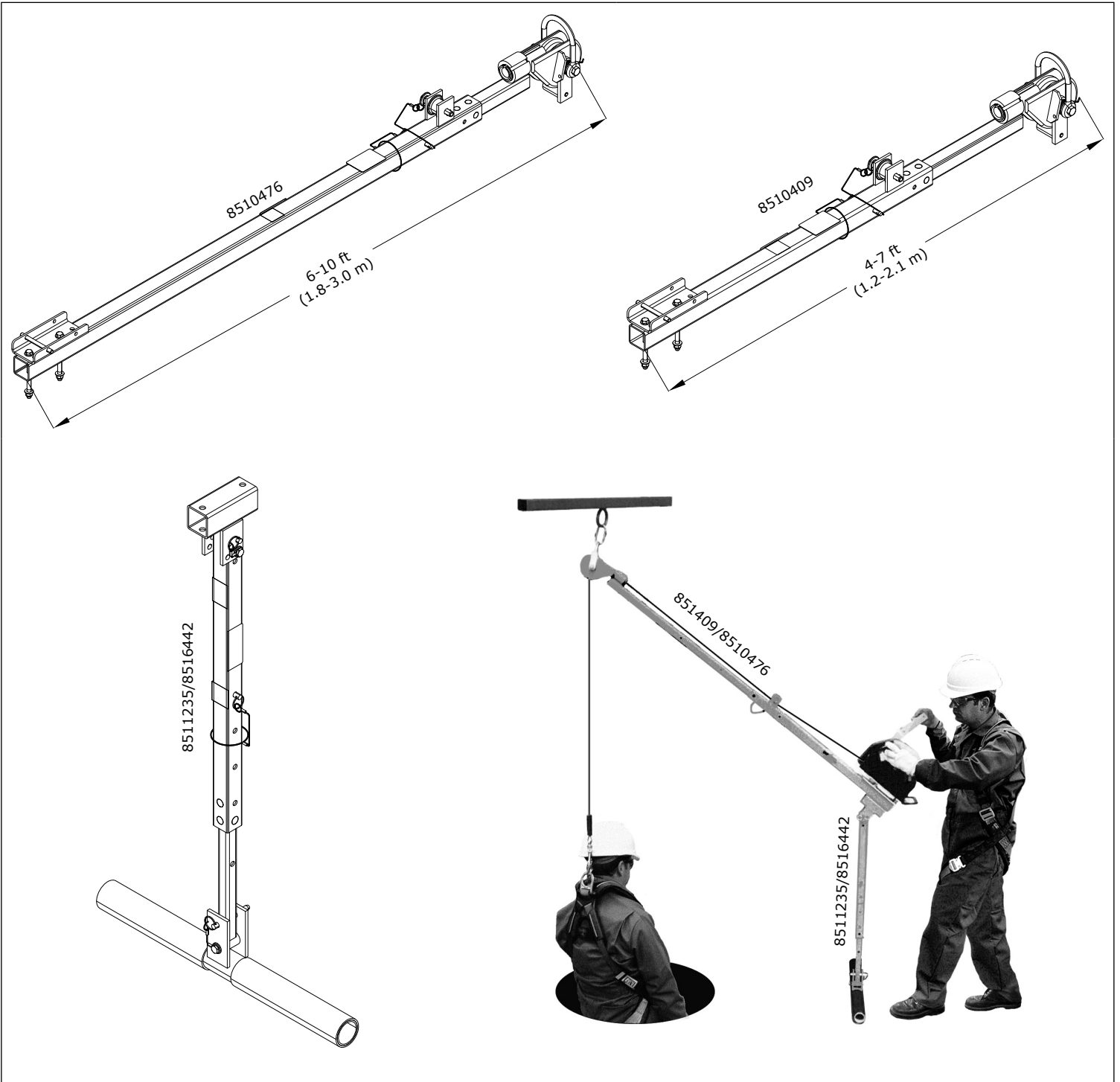
ADVANCED

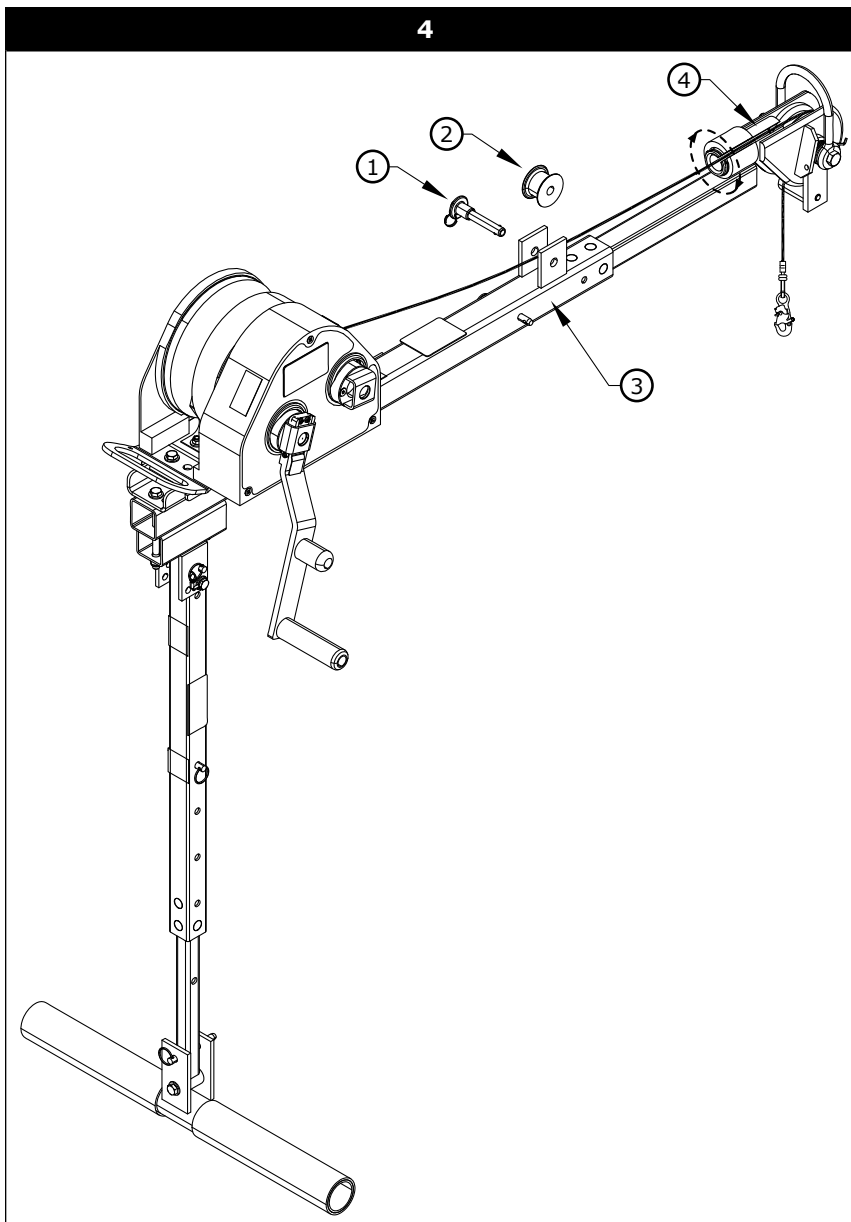
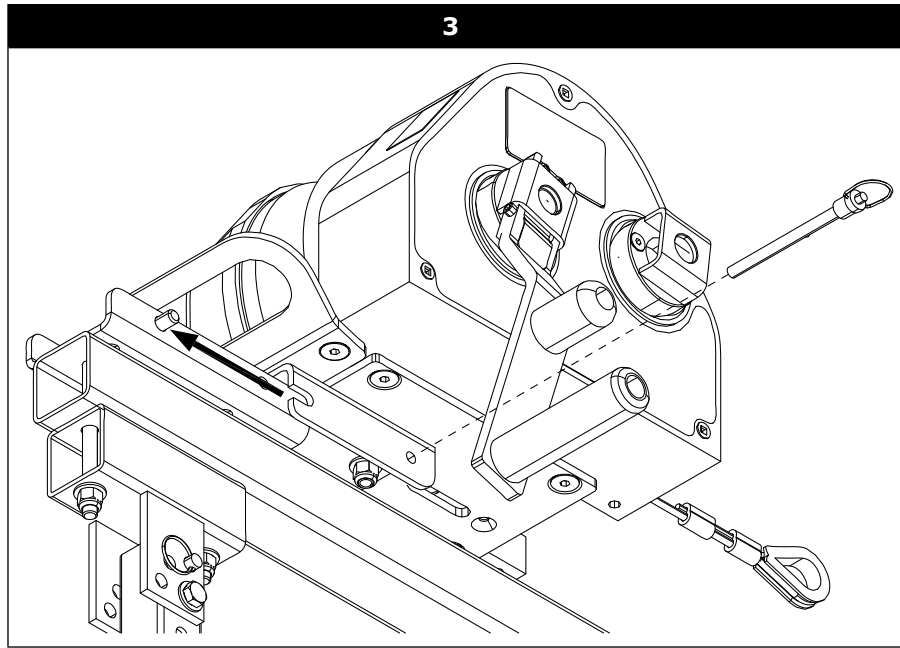
Pole Hoist System

Models:

8510409, 8510476, 8511235, 8516442

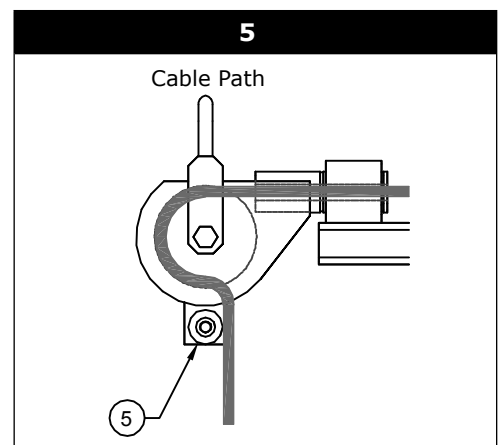
INSTRUCTION MANUAL





1.2 WINCH & CABLE ROUTING INSTALLATION

1. Install winch.
2. Pay out 5' to 10' of cable from winch, maintaining at least 10 lb. (5 kg) of tension on cable at all times. (Please refer to winch manual.)
3. Remove cable roller pin (1) & guide pulley (2) from pole hoist mast assembly (3). Place cable under guide pulley and replace guide pulley & cable roller pin.
4. Rotate pole hoist head assembly (4) so that slots through head align. Place cable through slot in head assembly and over pulley and around cable retainer spring (5). See Fig. 5 for cable path through head assembly.

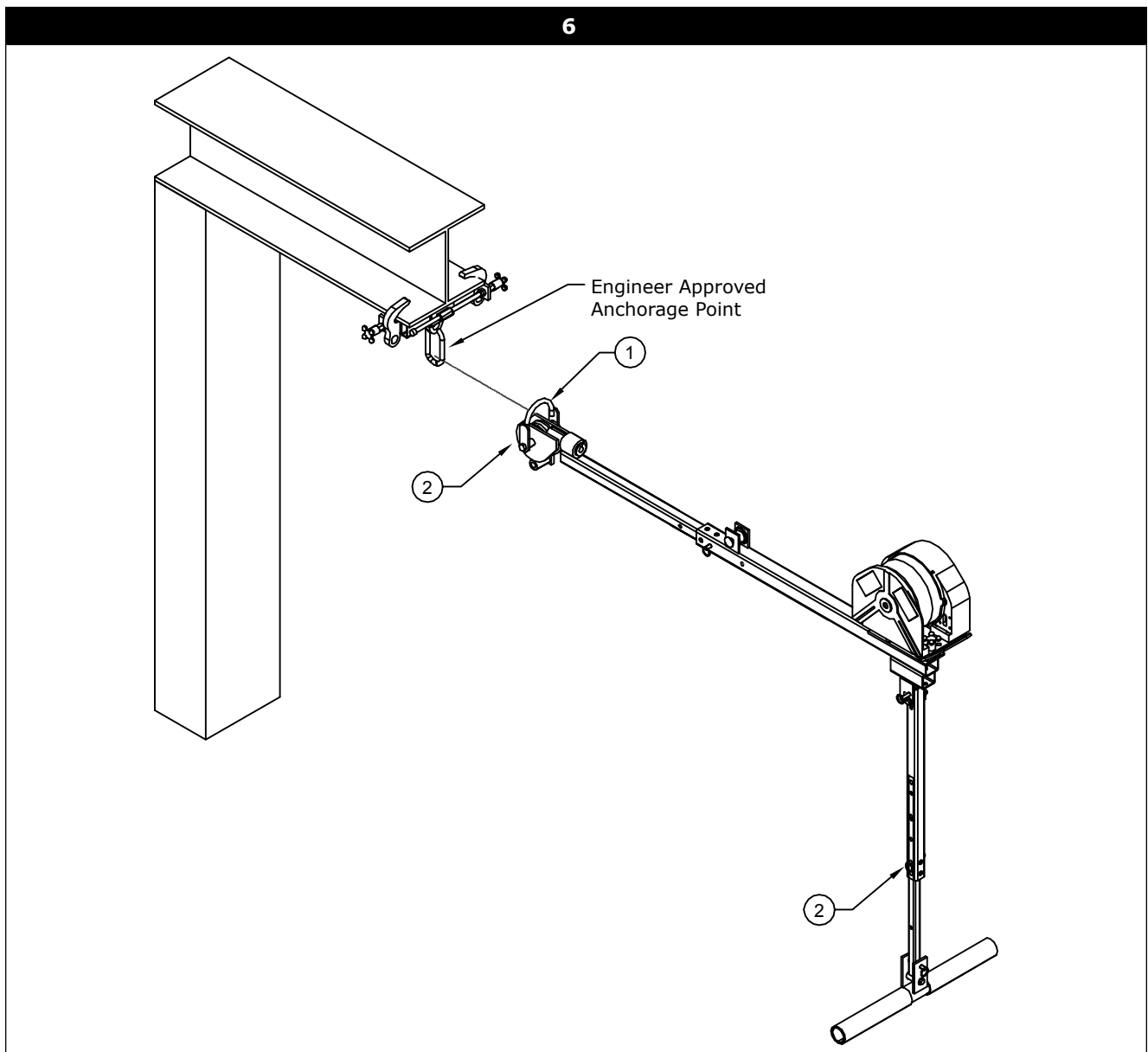


1.3 POLE HOIST INSTALLATION TO RATED ANCHOR POINT

1. Using hanger bracket (1) on top pulley assembly (2), hang pole hoist using certified anchorage point and certified hardware.
2. Make sure the T-bar leg (3) assembly is as vertical as possible to support the weight of winch while in use.

1.4 INSTALLATION OF WINCHES, SELF-RETRACTING LIFELINES (SRL'S), WORK POSITIONING AND FALL-ARREST DEVICES NOT MANUFACTURED BY CAPITAL SAFETY GROUP

Your Pole-Hoist system can be used as a support structure for various types of safety devices. Any accessories being used for the hoist **MUST BE** installed, inspected, maintained and operated according to the manufactures instructions. All installations **MUST BE** approved to local standards by a qualified engineer.



2.0 OPERATION

WARNING: The Pole Hoist System is designed to attach to a person (entrant) and allow them to enter a confined space and assist in exiting if required. Every new operator must read, understand, and follow the instructions in this manual. No one should be allowed to use the equipment without training. The training should be reviewed with experienced operators on a regular basis. At regular intervals, perform a detailed inspection of the equipment and document the results. Remove this system from service if any deficiencies are found. Alterations or misuse of this equipment, or the failure to follow the instruction, may result in serious injury or death.

2.1 OPERATING SAFETY: Many of the features incorporated into this equipment are a result of suggestions made by customers like you. Read this manual carefully to learn how to operate the equipment safely and set it to perform as intended. By following the operating instruction in conjunction with a good maintenance program, your equipment will provide many years of trouble-free service:

- Read, understand and follow these instructions and labels on the equipment before using, maintaining or inspecting the equipment.
- Train all operators before allowing them to use the equipment. An untrained operator exposes themselves, bystanders, and workers to possible serious injury or death.
- Visually inspect the equipment and all auxiliary components and equipment before using. Correct any problems before using the equipment.
- Securely anchor the winch before using, where applicable.
- Use only certified anchor and connector components in your system.
- All anchor points or mounting/setup locations for permanent or portable systems must be approved to local standards by a qualified engineer.
- Use only an approved full body harness for your workers.
- Always work in teams. One person works in the confined space and the other pays out the line and reels it in.
- Do not use the winch when the brake wear indicator displays in the red or the counter exceeds 30,000 cycles or 5 years. Return the winch to the manufacturer for service. (refer to the manufacturer's instruction included with the Winch for details on winch operation.)
- Do not exceed 450 lbs. (205 kg) on the line during operation.
- Use only retractable lifelines or shock absorbers with a maximum arresting force (MAF) equal to or lower than the lowest rated component of your system.
- Establish a regular training program for new & experienced workers.
- Establish a detailed inspection program for your equipment and document the findings. Return the equipment to the manufacturer for rework if any problems are found.
- Plan your work program before starting. Have the required people, equipment and procedures available to do the job.
- Do not use the equipment around physical or environmental hazards. This list includes, but is not limited to:
 1. Corrosion that may affect the structural integrity of the lifeline or other components. b] chemicals which may degrade components and may not be visible.
 2. Toxic Gases: Rescuers and/or workers can be killed in toxic environments.
 3. Heat or elevated temperatures.
 4. Moving Machinery: Workers or auxiliary equipment can be contacted by or pulled into moving components.
 5. Sharp Edges: Workers or equipment can be injured or damaged by sharp edges or components.
 6. Electrical hazards: stay away from power lines or components carrying electrical power.
 7. Overload: Do not exceed 450 lbs. (205 kg.) during operation.
 8. Follow all confined space regulations in the respective standards.
 9. Noise: Wear appropriate noise protection where necessary
 10. Environmental Hazards: Do not operate equipment during an electrical storm.

3.0 INSPECTION & MAINTENANCE

3.1 INSPECTION OF EQUIPMENT PRIOR TO USE:

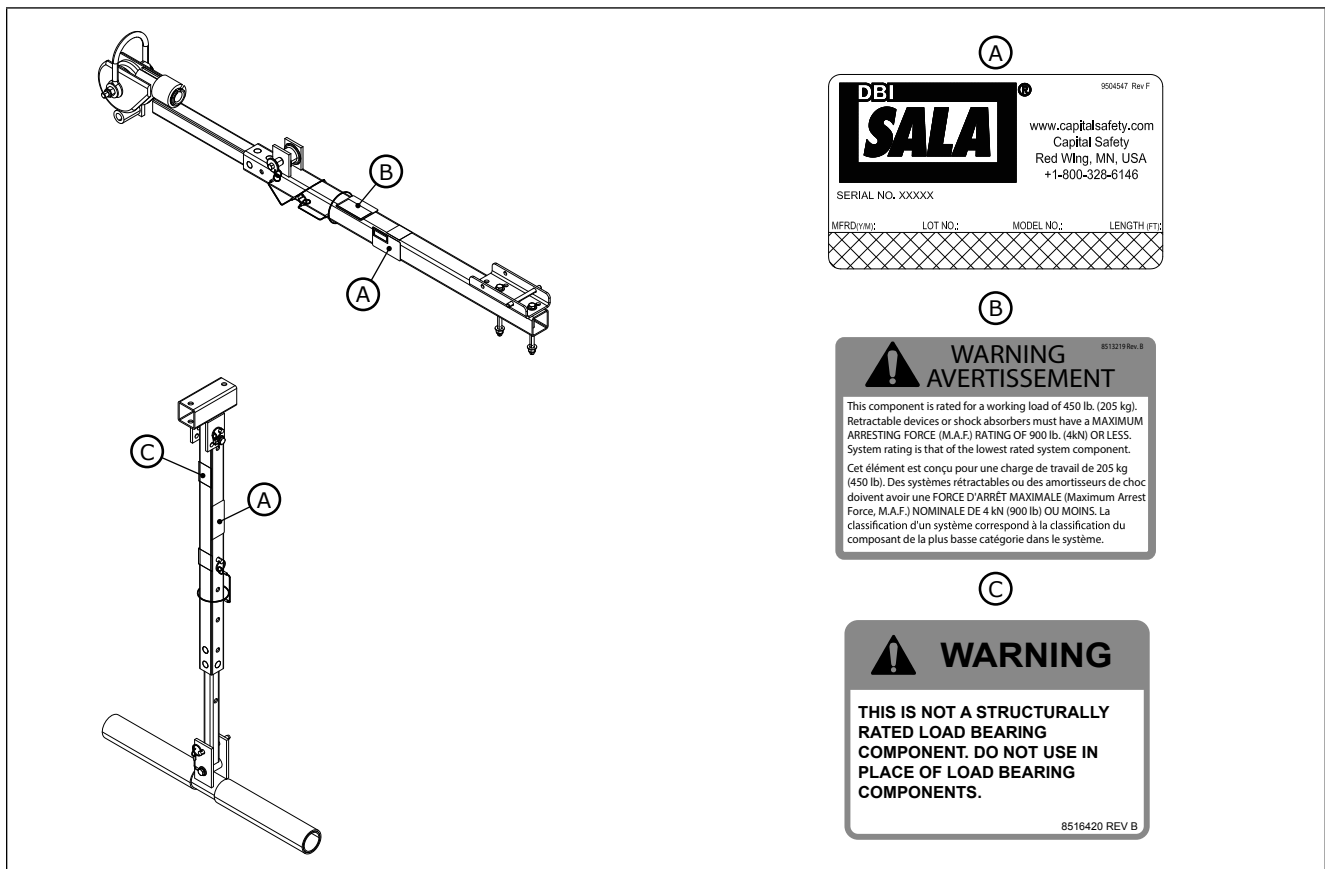
- Check all structural parts for damage: dents, cracked welds bend or crushed tubes. Minor cosmetic damage will not affect the structural integrity of the hoist, but any seriously damaged parts **MUST BE** repaired or replaced before using the hoist.
- Check all hardware (pins, tri-screws, adjuster screws, nuts, bolts, pulleys, rollers and winch brackets) for damaged threads, bend, damaged or missing fasteners, loose fasteners. Check all pulleys and rollers for chips, grooves and excessive wear. Ensure that all pulleys and rollers turn freely.
- Inspect all equipment for missing, damaged or otherwise illegible warning labels (see "Labels"). Any damaged, missing or otherwise illegible stickers **MUST BE** replaced before using hoist.
- If you are using CSG Safety Systems Winches with your hoist, inspect the winch and cable as outlined in the "maintenance and inspection" section of the Digital Series Winch operators manual.
- Any additional winches, self-retracting lifelines (SRLs), work positioning or fall-arrest equipment being used with your CSG Safety Systems Hoist **MUST BE** installed, inspected, maintained and operated according to the manufactures instruction.
- Report any problems with the equipment to your supervisor and **DO NOT USE** the equipment until it has been repaired or replaced.

3.2 INSPECTION/MAINTENANCE SCHEDULE:

- **DAILY (BEFORE EACH USE):** See above "Inspection of Equipment Prior to Use".
- **WEEKLY:** Perform a complete visual inspection of equipment as outlined in "Inspection of Equipment Prior to Use". Clean equipment as required, to thoroughly inspect all welds, labels, pins, fasteners, pulleys, rollers, brackets and parts. Record all findings on a copy of the "Inspection & Maintenance Log". If any problems are found with the equipment **DO NOT USE** until it has been repaired.
- **ANNUALLY:** Clean unit thoroughly, using a damp cloth and a mild soap solution. Perform a complete visual inspection as described in "Inspection of Equipment Prior to Use" Record all findings on a copy of the "Inspection & Maintenance Log". If any problems are found with the equipment, **DO NOT USE** until it has been repaired.

4.0 LABELS

The following labels must be present on the equipment and must be fully legible:



LIMITED LIFETIME WARRANTY

Warranty to End User: D B Industries, Inc., dba CAPITAL SAFETY USA ("CAPITAL SAFETY") warrants to the original end user ("End User") that its products are free from defects in materials and workmanship under normal use and service. This warranty extends for the lifetime of the product from the date the product is purchased by the End User, in new and unused condition, from a CAPITAL SAFETY authorized distributor. CAPITAL SAFETY'S entire liability to End User and End User's exclusive remedy under this warranty is limited to the repair or replacement in kind of any defective product within its lifetime (as CAPITAL SAFETY in its sole discretion determines and deems appropriate). No oral or written information or advice given by CAPITAL SAFETY, its distributors, directors, officers, agents or employees shall create any different or additional warranties or in any way increase the scope of this warranty. CAPITAL SAFETY will not accept liability for defects that are the result of product abuse, misuse, alteration or modification, or for defects that are due to a failure to install, maintain, or use the product in accordance with the manufacturer's instructions.

CAPITAL SAFETY'S WARRANTY APPLIES ONLY TO THE END USER. THIS WARRANTY IS THE ONLY WARRANTY APPLICABLE TO OUR PRODUCTS AND IS IN LIEU OF ALL OTHER WARRANTIES AND LIABILITIES, EXPRESSED OR IMPLIED. CAPITAL SAFETY EXPRESSLY EXCLUDES AND DISCLAIMS ANY IMPLIED WARRANTIES OF MERCHANTABILITY OR FITNESS FOR A PARTICULAR PURPOSE, AND SHALL NOT BE LIABLE FOR INCIDENTAL, PUNITIVE OR CONSEQUENTIAL DAMAGES OF ANY NATURE, INCLUDING WITHOUT LIMITATION, LOST PROFITS, REVENUES, OR PRODUCTIVITY, OR FOR BODILY INJURY OR DEATH OR LOSS OR DAMAGE TO PROPERTY, UNDER ANY THEORY OF LIABILITY, INCLUDING WITHOUT LIMITATION, CONTRACT, WARRANTY, STRICT LIABILITY, TORT (INCLUDING NEGLIGENCE) OR OTHER LEGAL OR EQUITABLE THEORY.



The Ultimate in Fall Protection

CSG USA & Latin America

3833 SALA Way
Red Wing, MN 55066-5005
Toll Free: 800.328.6146
Phone: 651.388.8282
Fax: 651.388.5065
solutions@capitalsafety.com

CSG Canada

260 Export Boulevard
Mississauga, ON L5S 1Y9
Phone: 905.795.9333
Toll-Free: 800.387.7484
Fax: 888.387.7484
info.ca@capitalsafety.com

CSG Northern Europe

5a Merse Road
North Moons, Moat
Reditch, Worcestershire, UK
B98 9HL
Phone: + 44 (0)1527 548 000
Fax: + 44 (0)1527 591 000
csgne@capitalsafety.com

CSG EMEA (Europe, Middle East, Africa)

Le Broc Center
Z.I. 1ère Avenue
5600 M B.P. 15 06511
Carros
Le Broc Cedex
France
Phone: + 33 4 97 10 00 10
Fax: + 33 4 93 08 79 70
information@capitalsafety.com

CSG Australia & New Zealand

95 Derby Street
Silverwater
Sydney NSW 2128
AUSTRALIA
Phone: +(61) 2 8753 7600
Toll-Free : 1 800 245 002 (AUS)
Toll-Free : 0800 212 505 (NZ)
Fax: +(61) 2 87853 7603
sales@capitalsafety.com.au

CSG Asia

Singapore:
16S, Enterprise Road
Singapore 627666
Phone: +65 - 65587758
Fax: +65 - 65587058
inquiry@capitalsafety.com

Shanghai:

Rm 1406, China Venturetech Plaza
819 Nan Jing Xi Rd,
Shanghai 200041, P R China
Phone: +86 21 62539050
Fax: +86 21 62539060

www.capitalsafety.com

